

G-6405-LM43

Ametis Collection

Single-Handle Vessel Lavatory Faucet

GRAFF[®]
CUTTING EDGE DESIGN



Product Features

- Single-hole installation
- Aerated flow rate ≤ 1.2 max gpm
- 5-1/2" spout projection
- Swivel aerator
- Drain assembly not included

Available Finishes

- Polished Chrome
G-6405-LM43-PC
- Architectural Black*
G-6405-LM43-BK*
- Architectural White*
G-6405-LM43-WT*

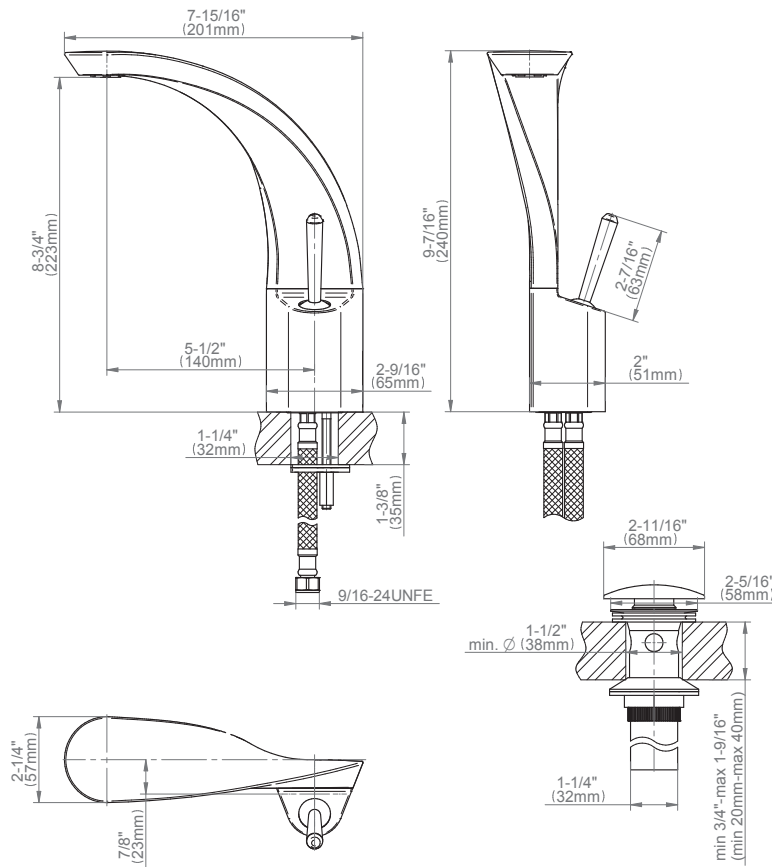
* Special order finish- call for availability

Optional Accessories

- Optional matching decorative trap G-9970-**

Code Compliance

- CALGreen
- ADA



Warranty

- Limited lifetime warranty

For complete warranty information go to www.graff-designs.com/en-nam/warranty